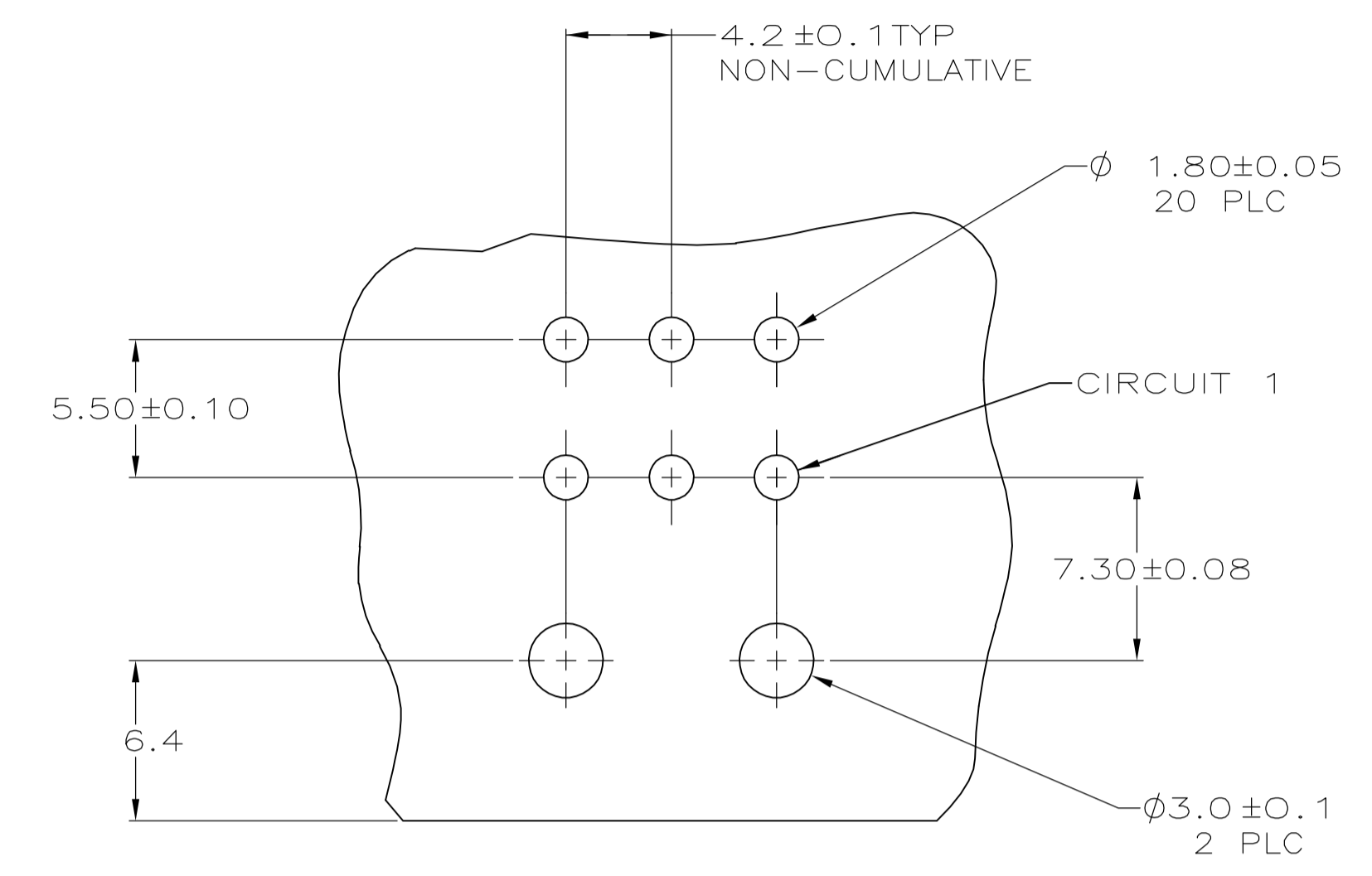
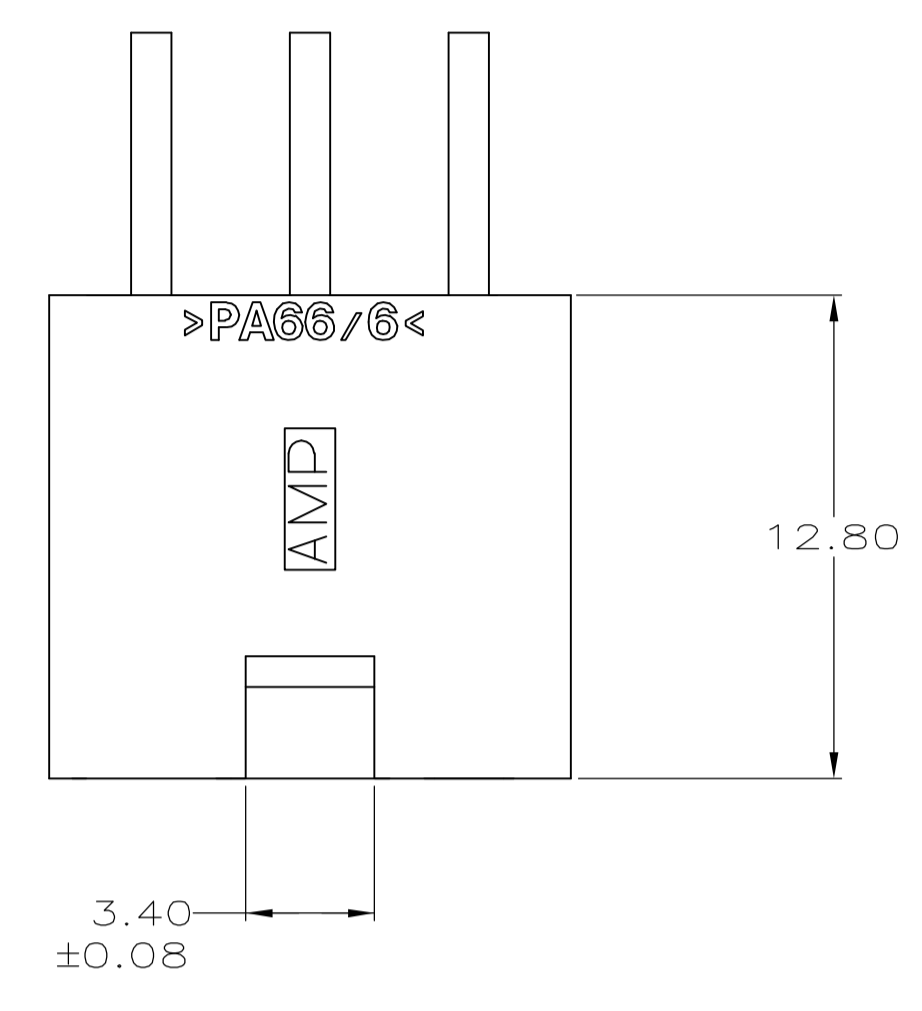
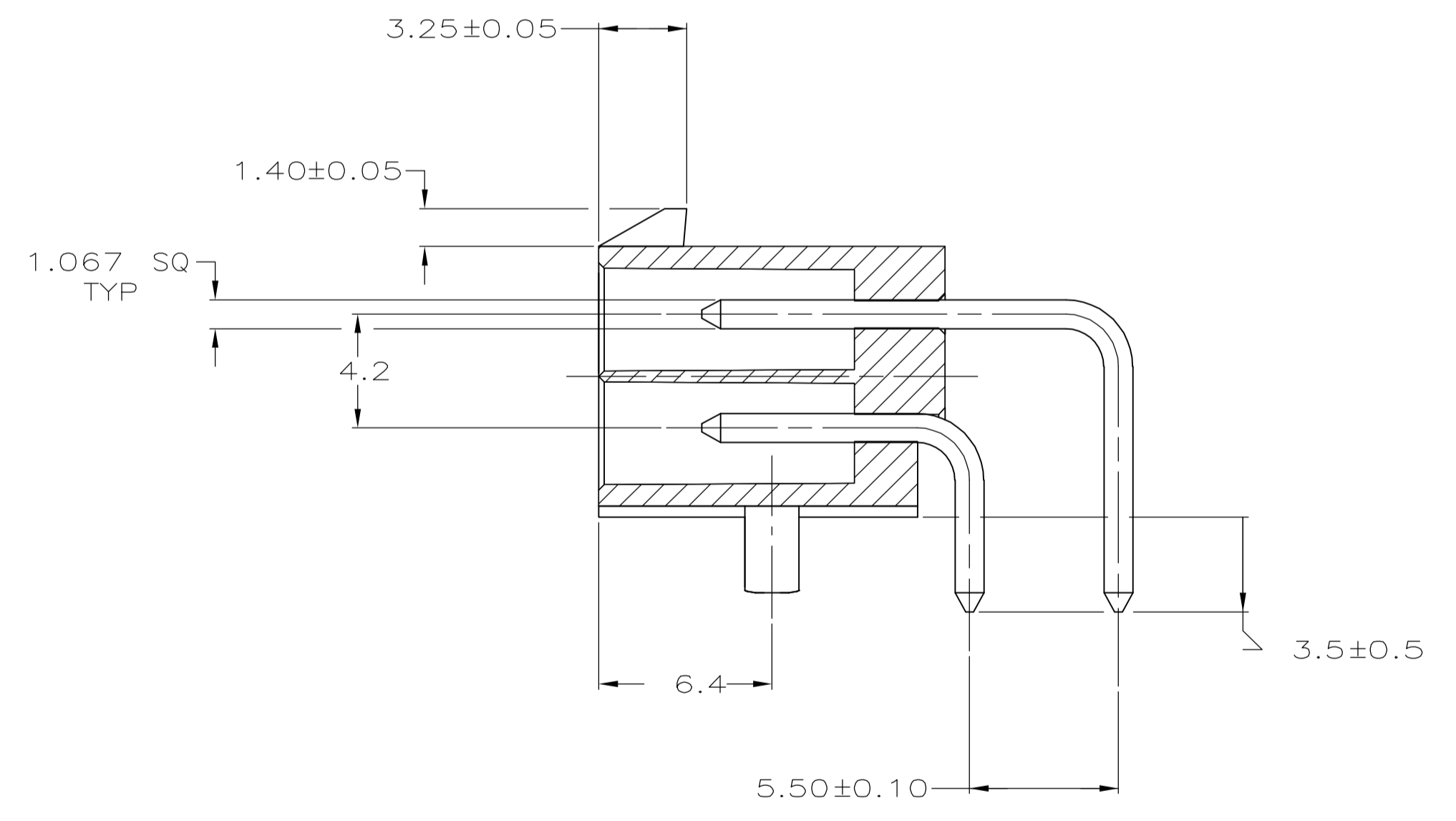
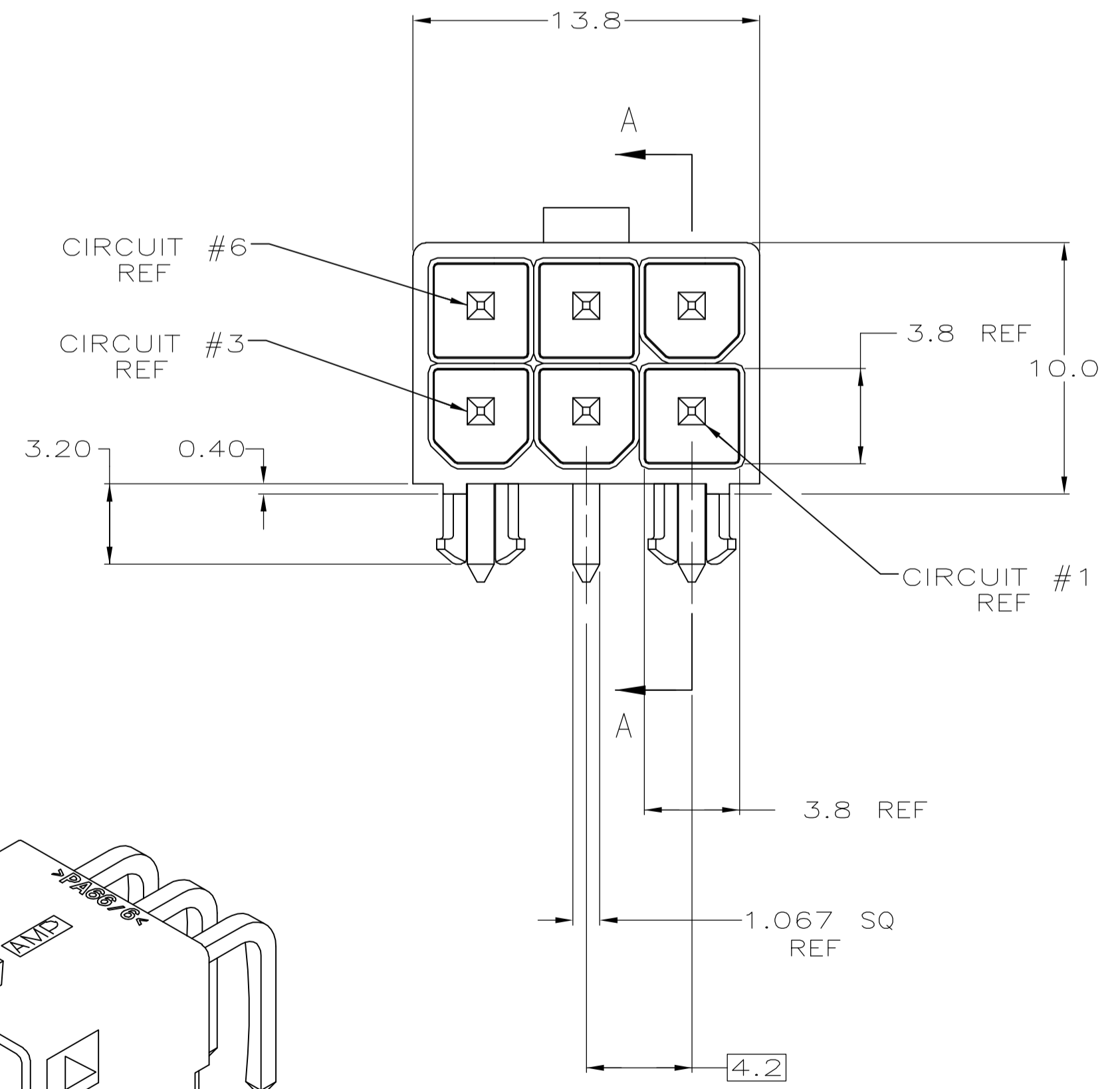


LOC		DIST		REVISIONS			
P	LTR	DESCRIPTION	DATE	DWN	APVD		
D		REVISED PER ECO-06-014772	13NOV06	KW	DS		

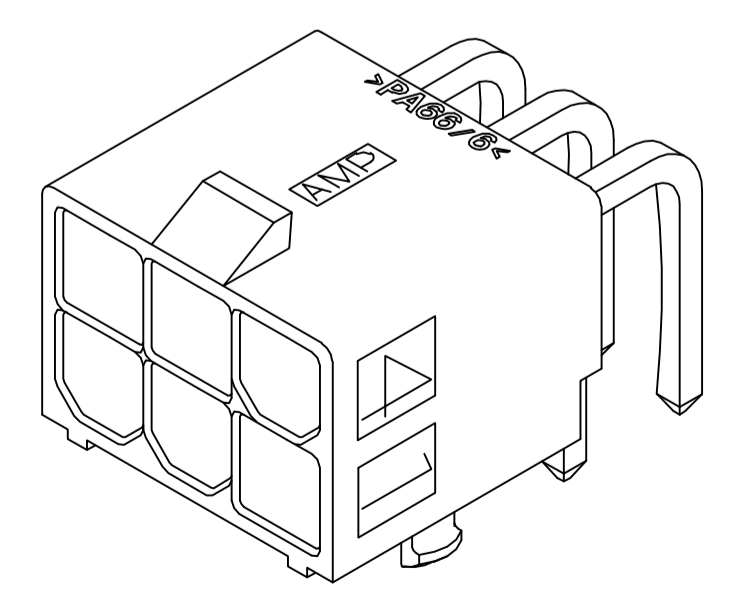
- ⚠ MATERIAL: HOUSING - NYLON, UL94V-0 (COLOR - WHITE).
CONTACTS - 1.067 SQ. COPPER ALLOY.
- 2. PINS TO COMPLY WITH AMP SOLDERABILITY SPEC 109-11-3.
- ⚠ 0.00381 MIN TIN LEAD OVER 0.00127 MIN NICKEL
ENTIRE LENGTH OF PIN.
- ⚠ NOTE DELETED.
- ⚠ 0.00381 MIN TIN OVER 0.00127 MIN NICKEL
ENTIRE LENGTH OF PIN.



RECOMMENDED MOUNTING HOLE PATTERN
 FOR 1.78 MAX THICK P.C. BOARD
 COMPONENT SIDE SHOWN
 SCALE 4:1



SECTION A-A



3-DIMENSIONAL MODEL
 NTS

SUPERSEDED BY 1-794528-1

⚠	⚠	⚠	⚠	1-794528-1		
⚠	⚠	⚠	⚠	794528-1		
MATERIAL		FINISH		MATERIAL	COLOR	PART NO
THIS DRAWING IS A CONTROLLED DOCUMENT.						
DIMENSIONS: mm		TOLERANCES UNLESS OTHERWISE SPECIFIED:		DWN K. WHITAKER 05NOV2004 CHK D. COLEY 05NOV2004 APVD D. COLEY 05NOV2004 NAME: Tyco Electronics Corporation, Harrisburg, Pa 17105-3608 tyco Electronics		
0 PLC ± - 1 PLC ± 0.2 [0.1] 2 PLC ± 0.13 [0.05] 3 PLC ± - 4 PLC ± - ANGLES ± ± 0.30°		APPLICATION SPEC WEIGHT - CUSTOMER DRAWING		HEADER ASSEMBLY, RIGHT ANGLE, 6 POSITION, W/PEGS, 94V-0, AMP-DUAC(TM) POWER CONNECTOR SIZE: A1 CAGE CODE: 00779 DRAWING NO: 794528 SCALE: 5:1 SHEET: 1 of 1 REV: D		

